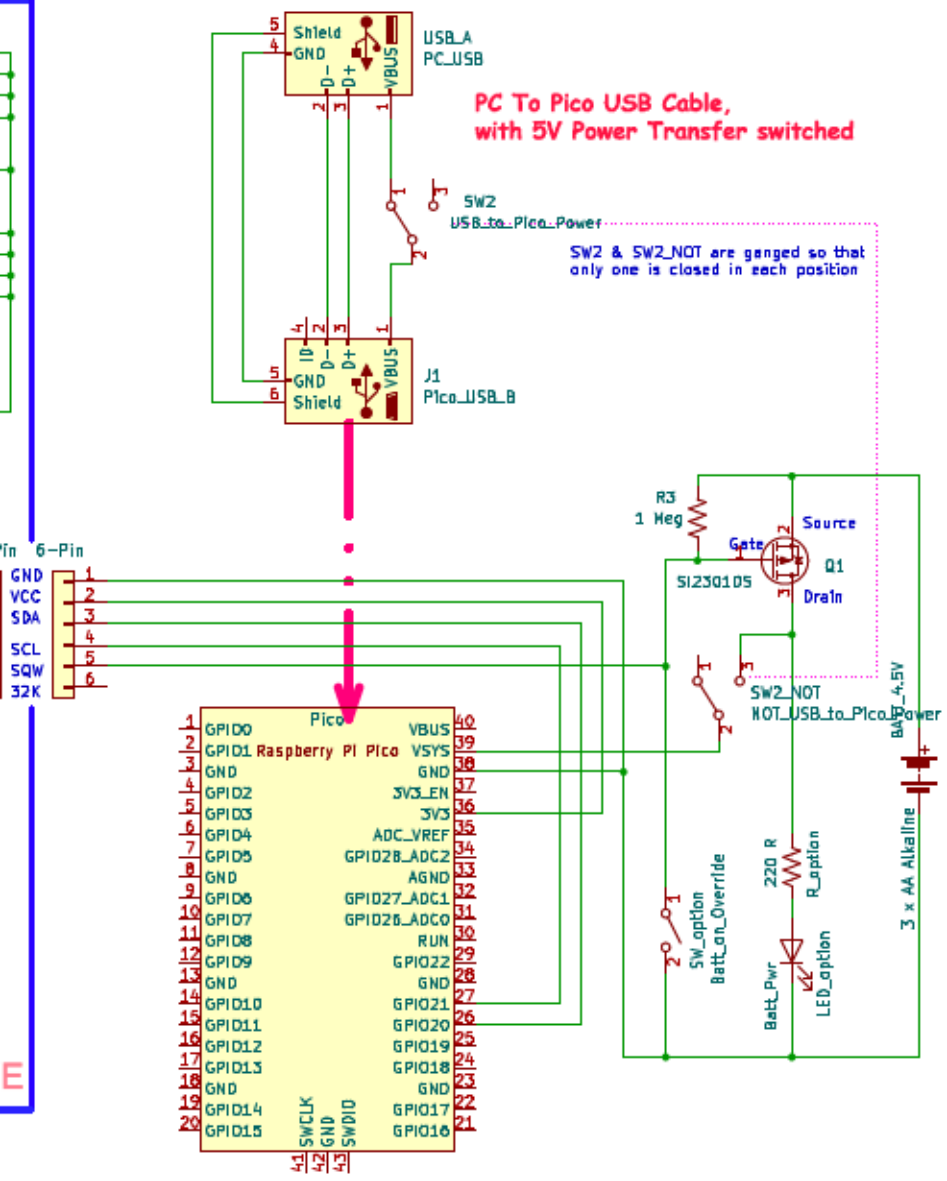


PC To Pico USB Cable, with 5V Power Transfer switched



SW2 & SW2_NOT are ganged so that only one is closed in each position

- Pin 6-Pin
- GND 1
- VCC 2
- SDA 3
- SCL 4
- SQW 5
- 32K 6

Pin	Label	Pin	Label
1	GPIOD0	40	VBUS
2	GPIOD1	39	VSYS
3	GND	38	GND
4	GPIOD2	37	JVS_EN
5	GPIOD3	36	JVS3
6	GPIOD4	35	ADC_VREF
7	GPIOD5	34	GPIOD2B_ADC2
8	GND	33	AGND
9	GPIOD6	32	GPIOD27_ADC1
10	GPIOD7	31	GPIOD26_ADC0
11	GPIOD8	30	RUN
12	GPIOD9	29	GPIO22
13	GND	28	GND
14	GPIOD10	27	GPIO21
15	GPIOD11	26	GPIO20
16	GPIOD12	25	GPIO19
17	GPIOD13	24	GPIO18
18	GND	23	GND
19	GPIOD14	22	GPIO17
20	GPIOD15	21	GPIO16
41	SWCLK		
42	GND		
43	SWDIO		

3 x AA Alkaline
BATT_4.5V