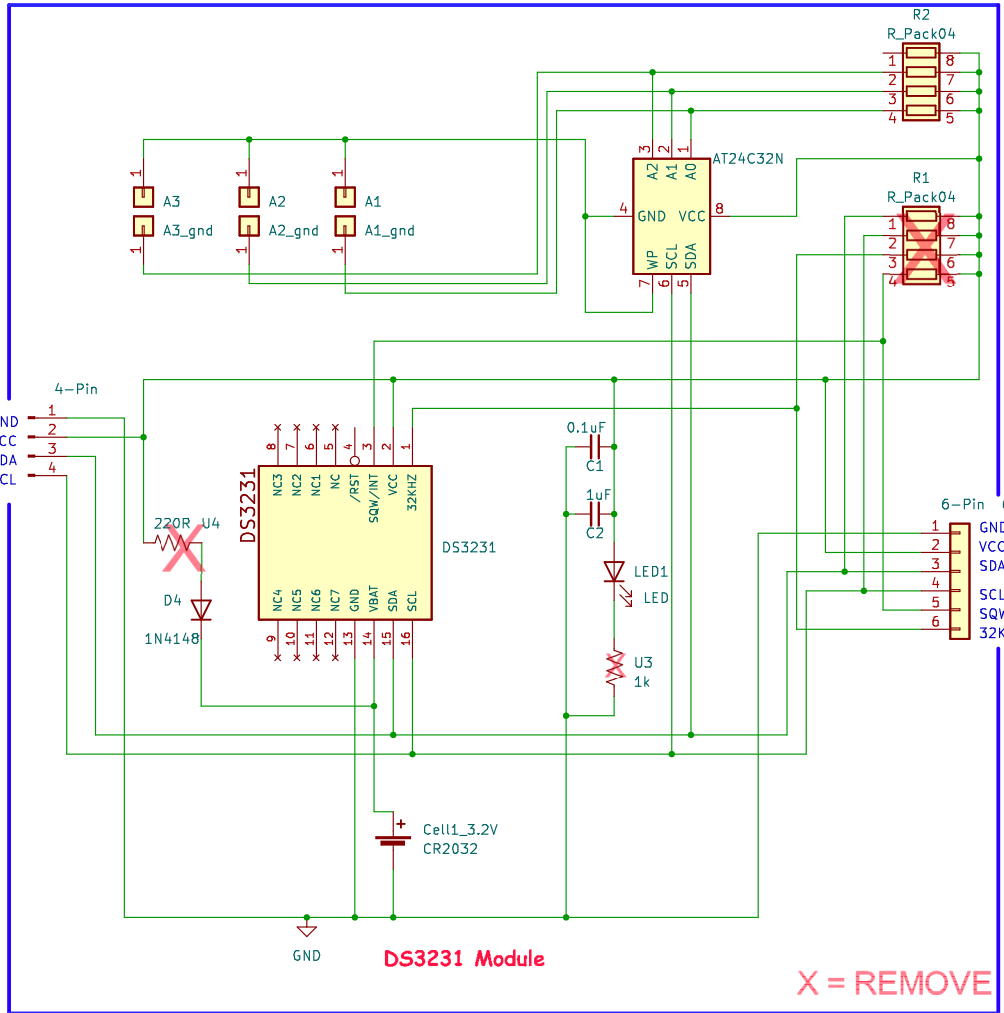
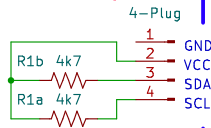
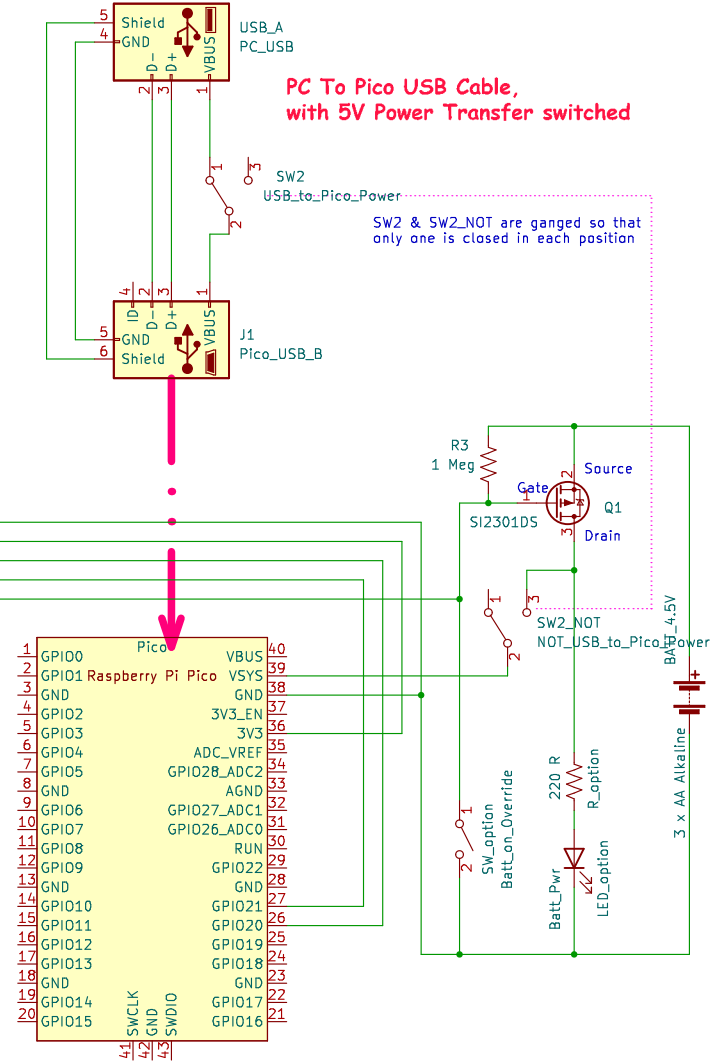


I2C Pullup



DS3231 Module

X = REMOVE



PC To Pico USB Cable, with 5V Power Transfer switched

SW2 & SW2_NOT are ganged so that only one is closed in each position

1	GPIO0	Pico	VBUS	40
2	GPIO1	Raspberry Pi Pico	VSYS	39
3	GND		GND	38
4	GPIO2		3V3_EN	37
5	GPIO3		3V3	36
6	GPIO4		ADC_VREF	35
7	GPIO5		GPIO28_ADC2	34
8	GND		AGND	33
9	GPIO6		GPIO27_ADC1	32
10	GPIO7		GPIO26_ADC0	31
11	GPIO8		RUN	30
12	GPIO9		GPIO22	29
13	GND		GND	28
14	GPIO10		GPIO21	27
15	GPIO11		GPIO20	26
16	GPIO12		GPIO19	25
17	GPIO13		GPIO18	24
18	GND		GND	23
19	GPIO14		GPIO17	22
20	GPIO15		GPIO16	21
41	SWCLK			
42	GND			
43	SWDIO			

Batt 4.5V
3 x AA Alkaline