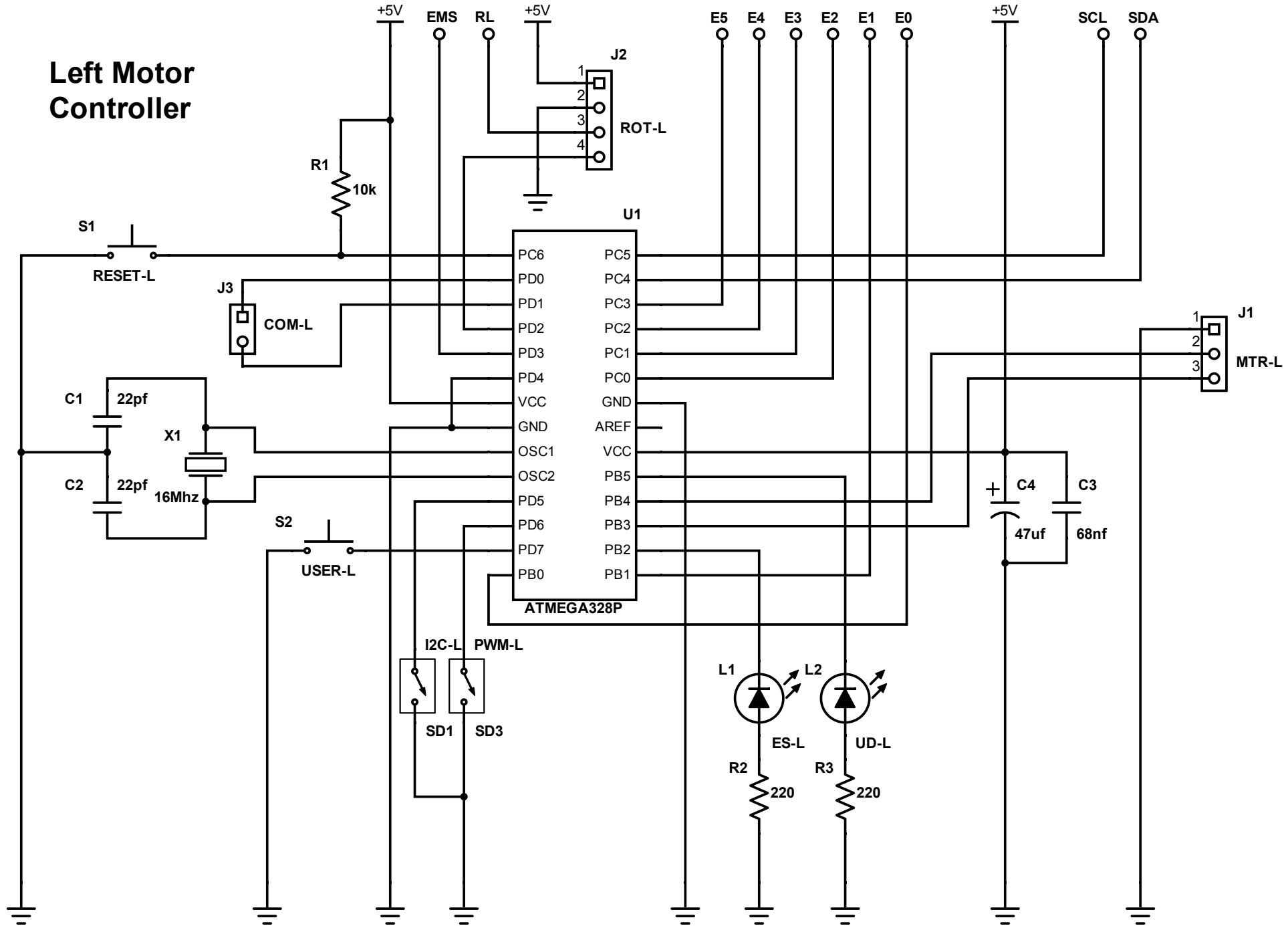
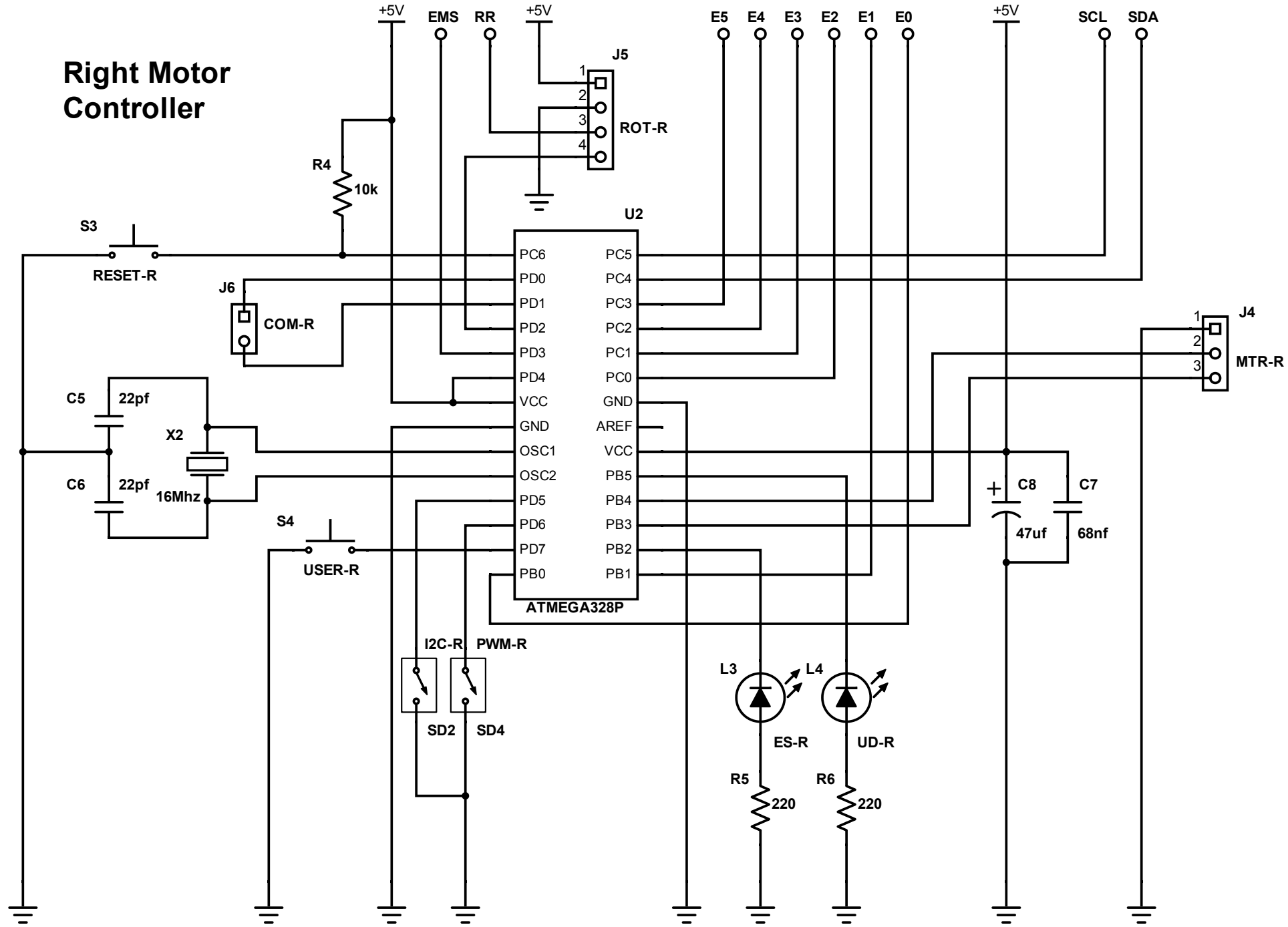
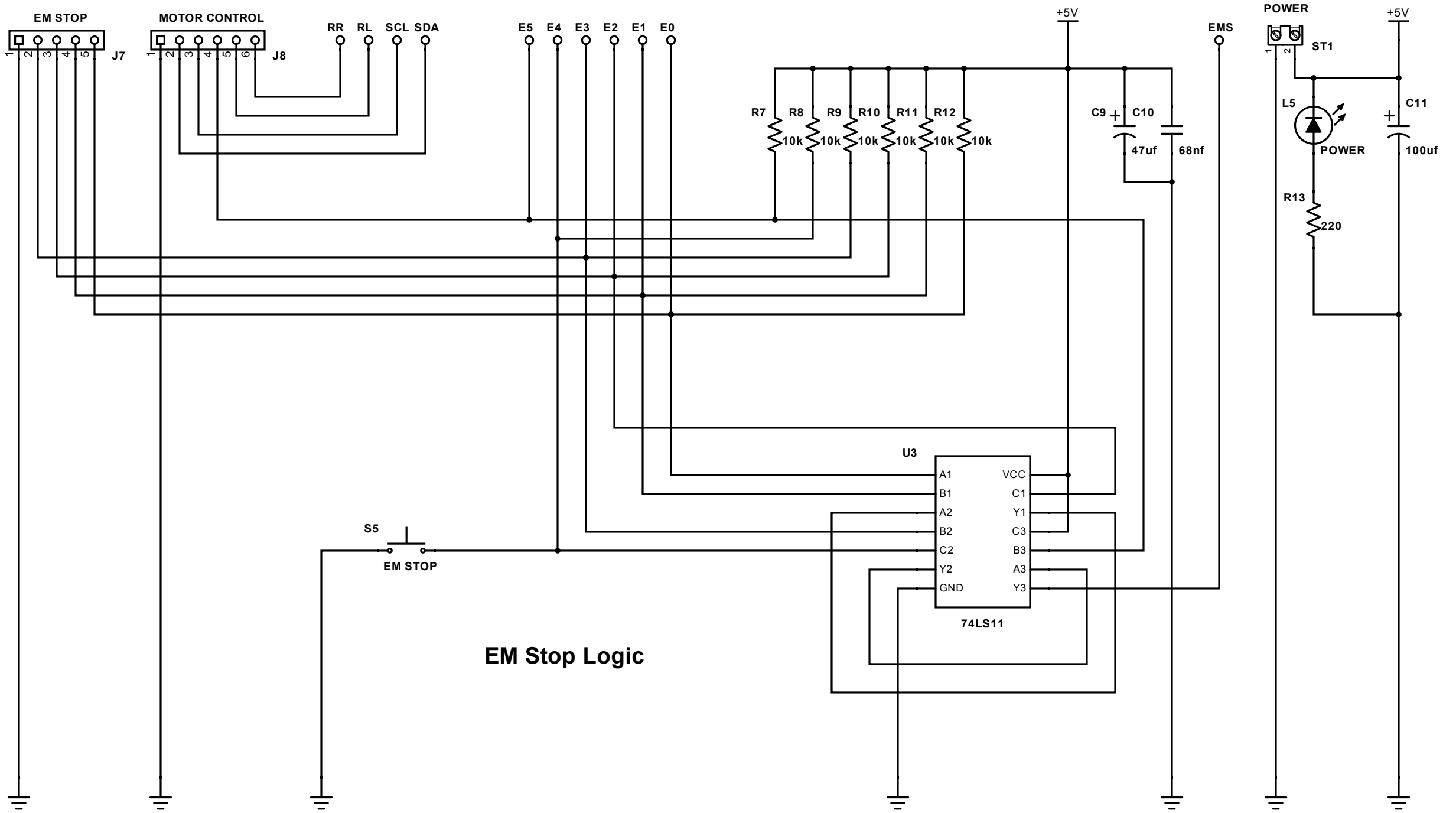


# Left Motor Controller



# Right Motor Controller





**EM Stop Logic**