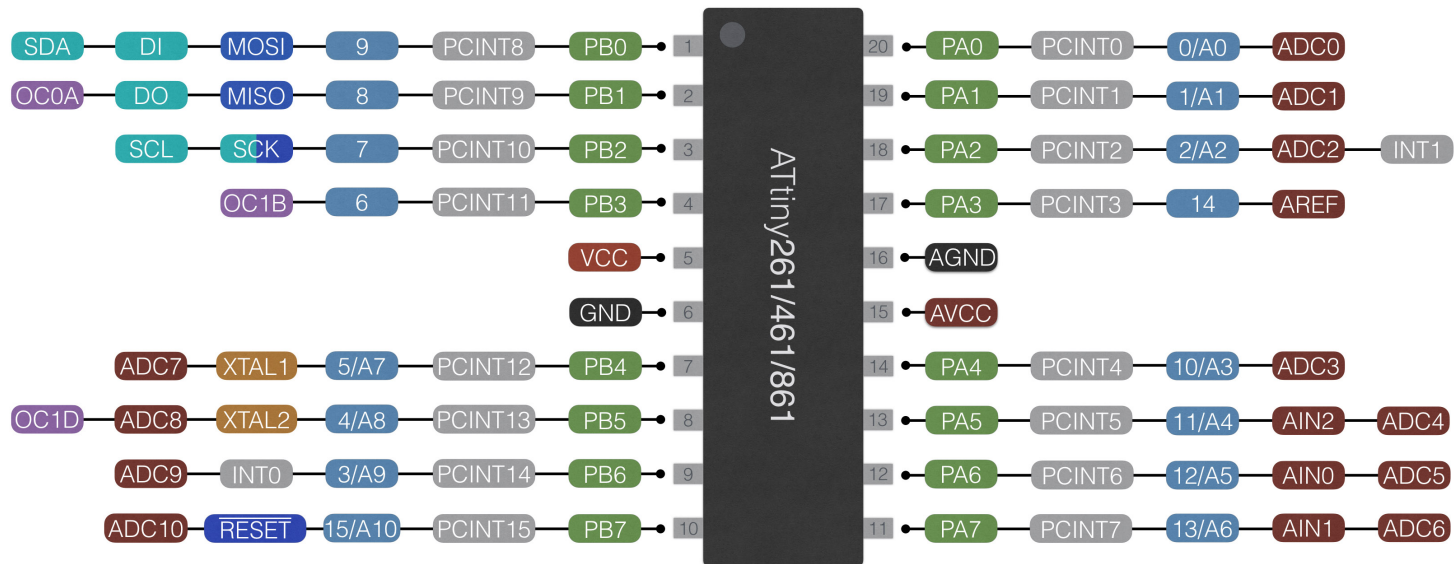


ATtiny261/461/861 pinout

- POWER
- GROUND
- PORT PIN
- ARDUINO PIN
- ANALOG
- SERIAL INTERFACE
- ISP INTERFACE
- TIMER / PWM PIN
- INTERRUPT



Some pin functionality can be remapped to other pins, see the datasheet for more information

<http://github.com/SpenceKonde/ATTinyCore>