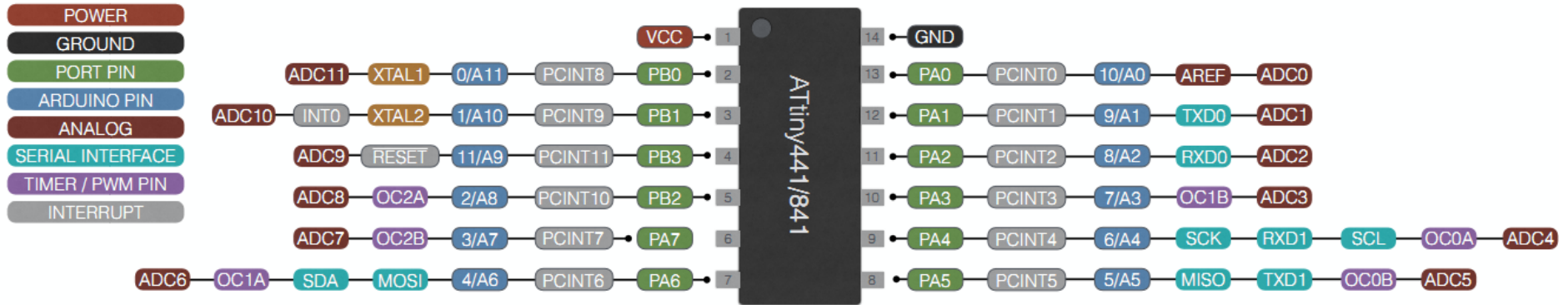


ATtiny441/841 pinout



Some pin functionality can be remapped to other pins, see the datasheet for more information

<http://github.com/SpenceKonde/ATTinyCore>