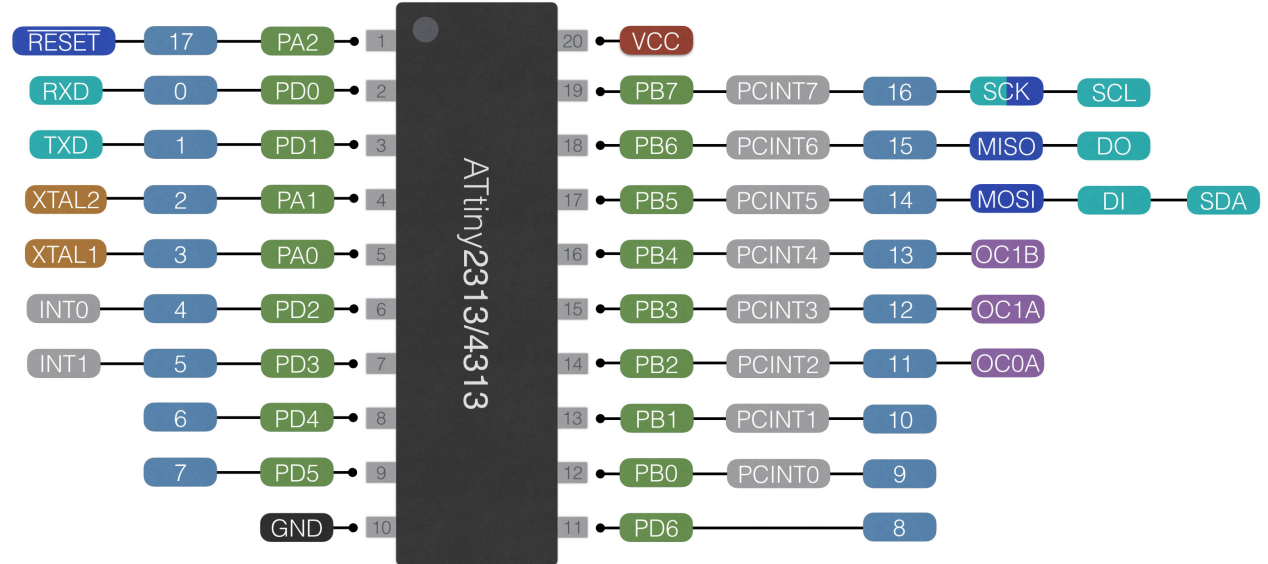


ATtiny2313/4313 pinout

- POWER
- GROUND
- PORT PIN
- ARDUINO PIN
- ANALOG
- SERIAL INTERFACE
- ISP INTERFACE
- TIMER / PWM PIN
- INTERRUPT



<http://github.com/SpenceKonde/ATTinyCore>